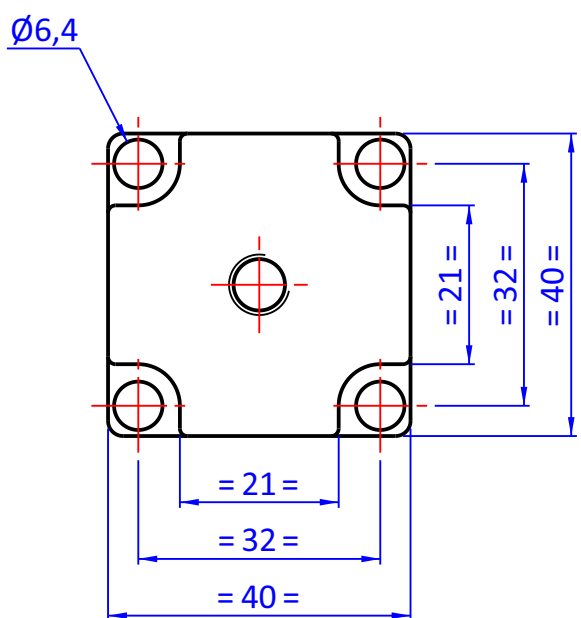
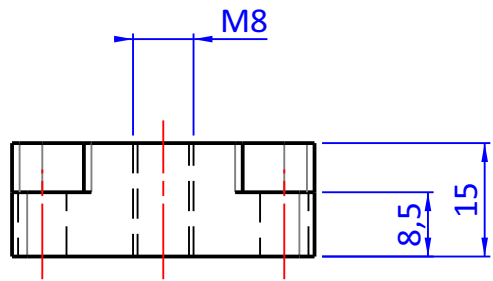
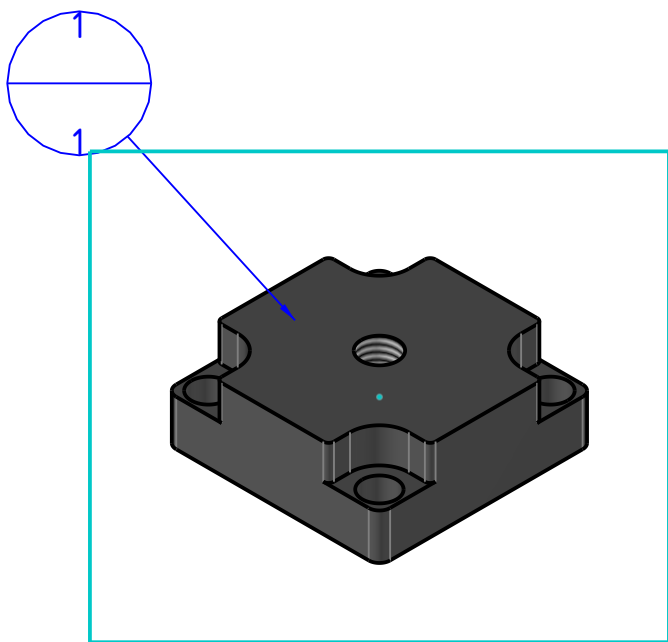

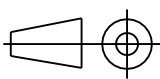


Object Number	Name	QTY
1	PP.4040.JU	1



THE PROPERTY OF THE DRAWING IS ESTABLISHED BY LAW. IT IS FORBIDDEN TO PRODUCE OR SHOW IT TO THIRD PART. WITHOUT A WRITTEN AGREEMENT.

Format A4 UNI 936-76	 FPS SERVICES AUTOMATION		DESIGNED FROM	REVIEW	
			FPS Automation		A
			DATE	WEIGHT	
GENERAL TOLERANCE		DESCRIPTION	27/12/2022	0,055kg	
UNI - ISO 2768		CA.PP.4040.JU	CODE		
CLASSE f			CA.PP.4040.JU		